

BEST BASIC WINDOWS PVC EQUIPMENT

PREMIUM PROFILES

7-chamber window system with triple sealing, creating a dry chamber

SASH LIFT

Facilitates the closing of large and heavy window sashes

THIN WELD

Provides the sash with an elegant look and aesthetics

MINIMUM 2 ANTI-BURGLARY LATCHES

At least two latches and anti-burglary rollers, effectively protecting against burglary attempts and increasing resistance to mechanical forces

GRADED TILT

Allows adjusting the ventilation intensity to atmospheric conditions

DUST SEAL

Protects the hardware rebate from collecting operational dirt

HANDLE POSITION BLOCK

Increases the comfort of using the window and prevents the sash from falling out of the upper hinge

INNOVATIVE HANDLE MECHANISM

Prevents manipulation of the window from the outside, enhancing room security

REINFORCED HINGES

Load capacity of standard hinges up to 130kg

REINFORCEMENT

Galvanized steel profiles with a thickness of 1.5 mm guarantee durability, while the sashes use reinforcements ranging from 1.5 to 2 mm, depending on the construction size, ensuring structural integrity

SWISSPACER WARM EDGE SPACER

Made of a material with a very low thermal conductivity coefficient. It improves the thermal insulation of the entire construction, reducing energy loss through the spacer. It also enhances the performance of glass packages by limiting condensation and increasing water vapor absorption, thus contributing to thermal comfort and energy savings

ENERGY-SAVING GLASS PACKAGE

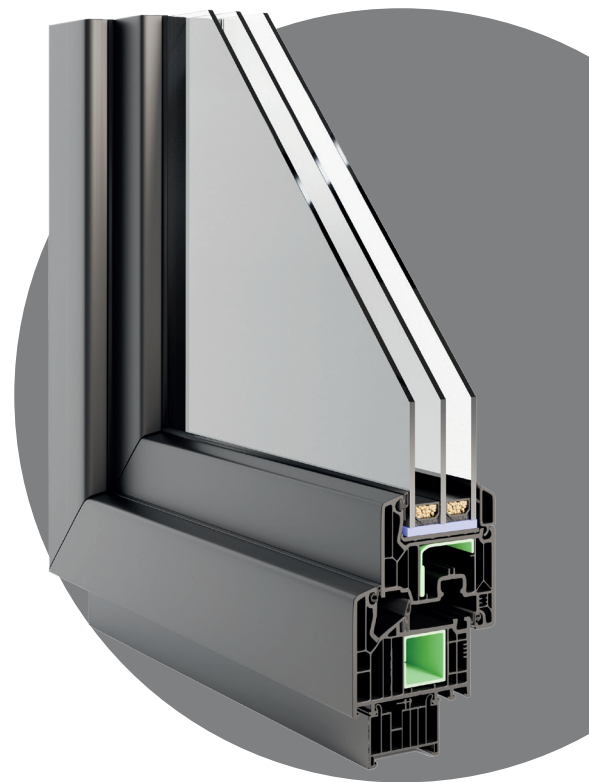
Ug coefficient = 0,5 W/m²K

WINDOW SILL STRIP

It facilitates the installation of window sills and protects the frame from potential damage during transport

WINDOW TRANSPORT HANDLES

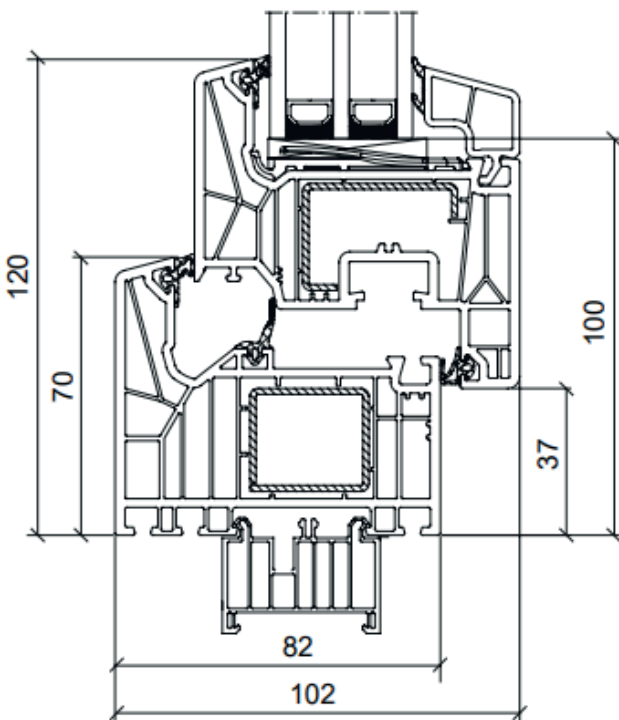
Make window and door transport easier on construction sites





Schüco Living 82 MD

Schüco Living sets the highest standards in energy efficiency for PVC-U windows with steel reinforcements. The 7-chamber system, with a construction depth of 82 mm, allows for the production of windows with excellent thermal insulation. The use of a flexible, weldable material enhances the sealing effect in challenging corner areas, preventing hardening while ensuring an elegant appearance of the gasket around the perimeter.



- 0,74**
U_w (W/m² K) for a glazing unit
U_g = 0.5 W/m² K
- 7/7**
frame/sash
- 3**
gasket
- 9A**
water tightness class according to EN 12208

- 82**
gasket depth installation (mm)
- 4**
air permeability class according to EN 12207
- C5**
resistance to wind load according to EN 12210