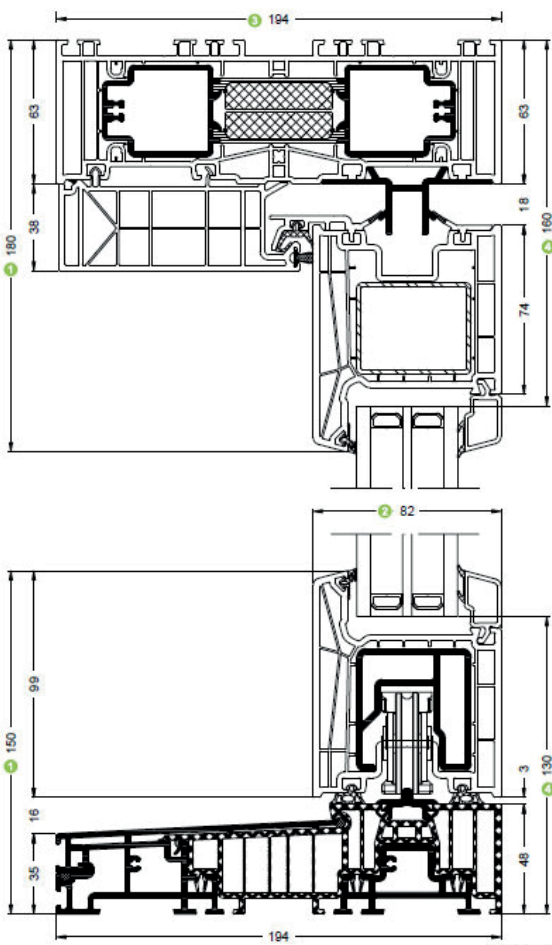


# Schüco LivingSlide LIFT & SLIDE DOORS

The HST solution with a frame depth of 194 mm features an advanced sealing system. It can achieve large dimensions of up to 6.5 m in width and 2.8 m in height. A flat threshold, shallow installation depth, and flexibility in configuring the sashes make these doors adaptable to virtually any building.



# VEKAMOTION 82 LIFT & SLIDE DOORS

The modern HST system enables the construction of large terrace structures up to 6.5 m wide and 2.5 m high. Additionally, the reduced sash height allows more natural light compared to competing solutions. VEKAMOTION HST also offers excellent thermal insulation of the profiles and the option to install warm triple or even quadruple glazing units up to 54 mm thick. The next-generation warm threshold allows for threshold-free installation.

